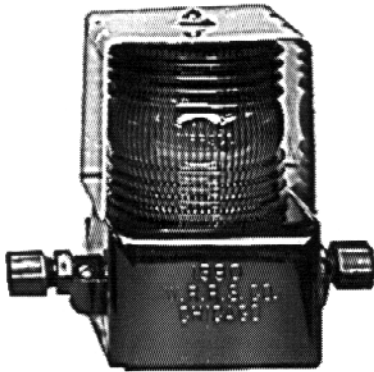
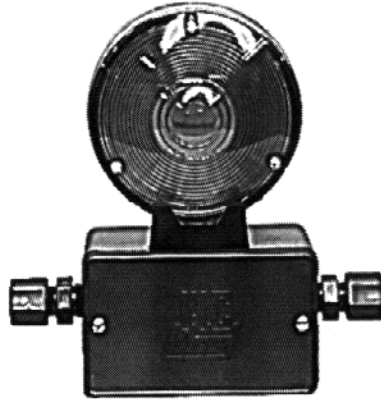


## Gate Lights



**Type 1590**



**Type 1591**



**Type 1592**

Western-Cullen-Hayes Gate Lights come in three distinct styles; the Type 1590 with a 3-5/8" diameter 360 degree red Fresnel Lens, the Type 1591 with a 4-1/8" diameter red bullseye lens and the Type 1592 with a 7" diameter lens. All of our gate lights are a light weight design that use a S.C.C.B. style S-8 or S-11 lamp bulb with a 1-1/4" light center. Junction boxes and lenses are made of high-impact plastic. Cable grips of the appropriate diameter are provided with each light as is all necessary mounting hardware.

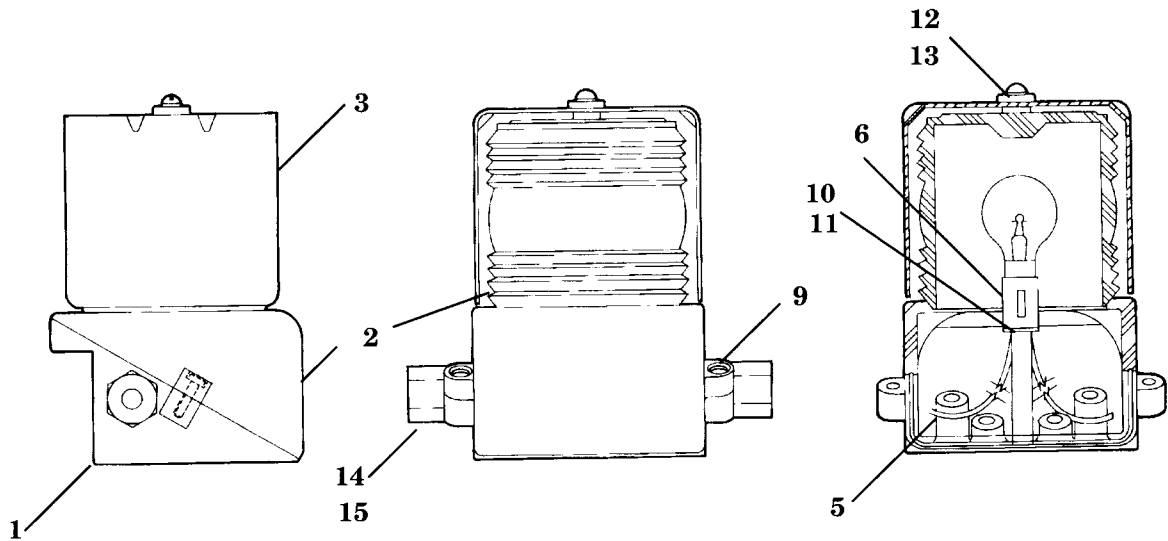
Description	Part Number
Set of three Type 1590 Gate Lights	1590-50
Set of three Type 1591 Gate Lights	1591-50
Set of three Type 1592 Gate Lights	1592-50

Special application lights are also available, please inquire.

**WESTERN-CULLEN-HAYES, INC.**

2700 W. 36TH PLACE CHICAGO, IL. 60632  
 (773) 254-9600 FAX (773) 254-1110

## Type 1590 Gate Light

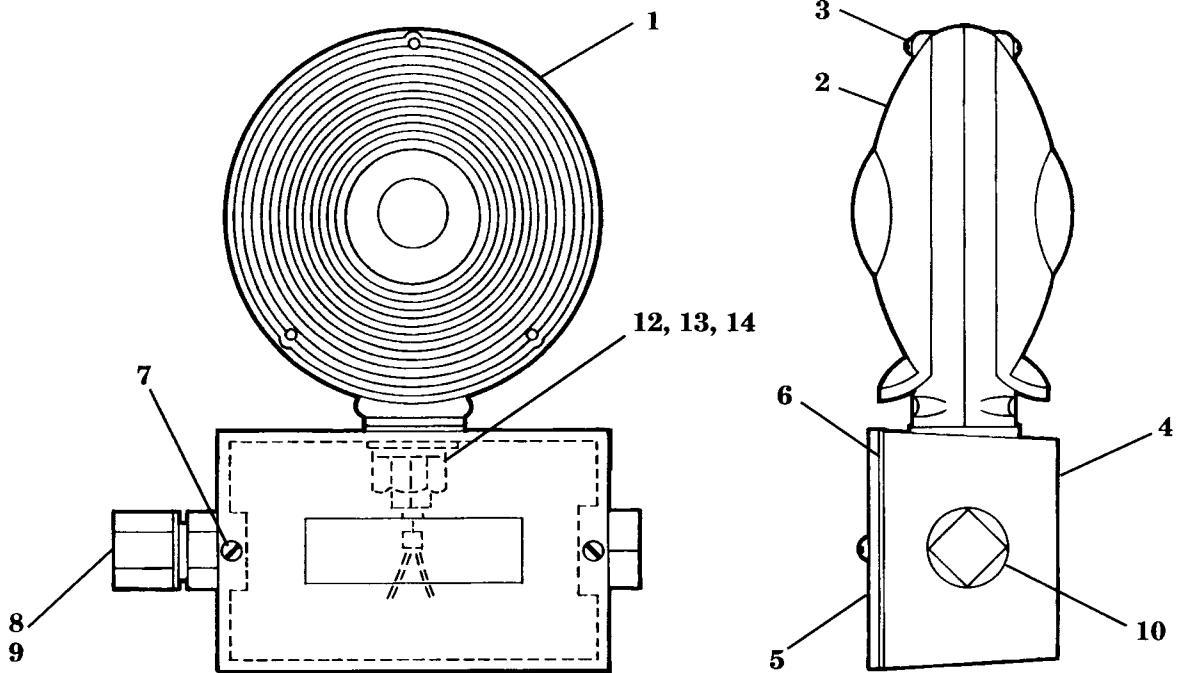


Reference No.	Description	Part No.
A	Tip Light (one cable grip, one hole plug)	1590-A
B	Mid and Butt Light (Two cable grips)	1590-B
<b>REPLACEMENT PARTS</b>		
1	Molded Base	1590-3
2	Molded Cover and Lens Assembly	1590-7
3	Aluminum Shield	1590-4
5	Gasket Only	1590-10
6	Lamp Socket	1590-61
9	10-24 x 3/4" Filister Head Machine Screw	AA-10-CC-3-0075
10	5-40 x 1/2" Round Head Machine Screw	AA-10-BU-3-005
11	No. 5 Split Lockwasher	RR-00-CB-3
12	10-24 x 9/16" Round Head Machine Screw	AA-10-CC-3-0056
13	No. 10 External Lockwasher	TT-00-AH-3
14	Cable Grip	1590-35-A
15	Ferrule Nut	1590-35-B
16	Hole Plug, Plastic (Not shown)	1590-9
17	Hardware Kit (Not shown)	1590-25

### WESTERN-CULLEN-HAYES, INC.

2700 W. 36TH PLACE      CHICAGO, IL. 60632  
(773) 254-9600              FAX (773) 254-1110

## Type 1591 Gate Light



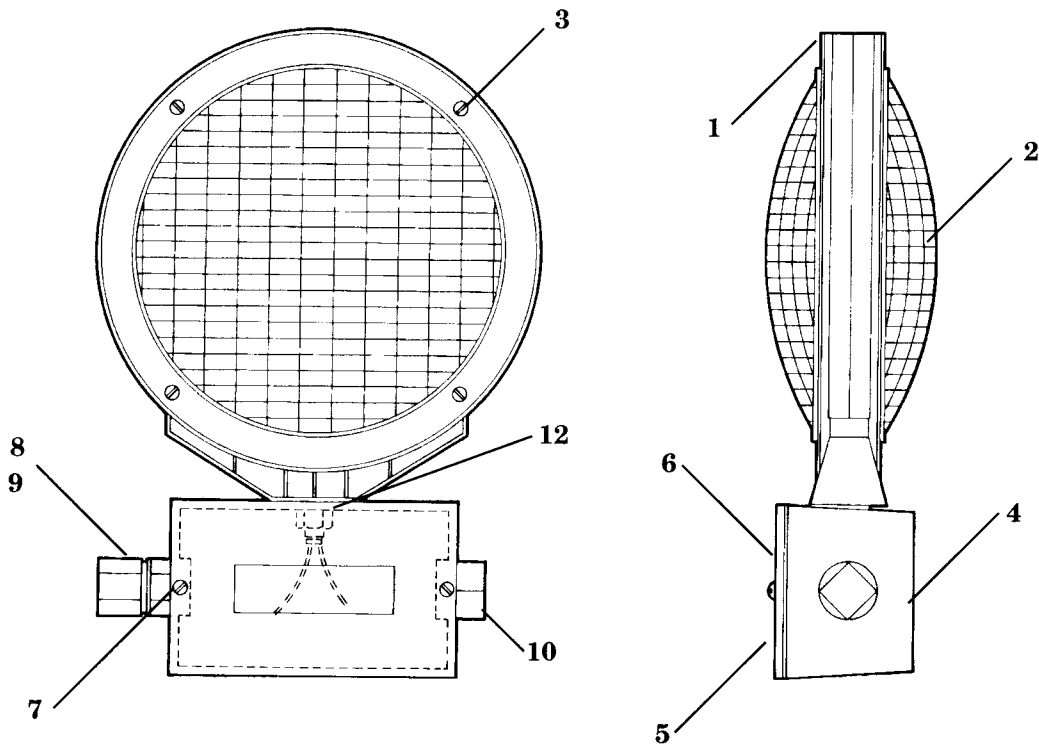
Reference No.	Description	Part No.
A	Tip Light (one cable grip, one hole plug) shown	1591-3
B	Mid and Butt Light (two cable grips)	1591-4
<b>REPLACEMENT PARTS</b>		
1	Light Head Assembly	90837
2	Lens Only	90837-1
3	6-32 x 3/4" Self Tapping Screw	90837-8
4	Light Junction Box	1591-30-M
5	Light Junction Box Cover	1591-31
6	Gasket	1591-32
7	8-32 x 1/2" Round Head Machine Screw	AA-10-BB-3-005
8	Male Connector	1590-35-A
9	Ferrule Nut	1590-35-B
10	Hole Plug	1590-9
11	Hardware Kit (not shown)	1590-25
12	7/16" Plain Washer	PP-00-AN-3
13	7/16" Lockwasher	RR-00-AN-3
14	7/16" Hex Nut	KK-12-MM-3

**WESTERN-CULLEN-HAYES, INC.**

2700 W. 36TH PLACE  
(773) 254-9600

CHICAGO, IL. 60632  
FAX (773) 254-1110

## Type 1592 Gate Light



Reference No.	Description	Part No.
A	Tip Light (one cable grip, one hole plug) shown	1592-3
B	Mid and Butt Light (two cable grips)	1592-4
<b>REPLACEMENT PARTS</b>		
1	Light Frame and Socket	90847-2
2	Lens Only	90847-1
3	8-32 x 1/4" Round Head Machine Screw	AA-10-BB-3-0025
4	Light Junction Box	1591-30-M
5	Light Junction Box Cover	1591-31
6	Gasket	1591-32
7	8-32 x 1/2" Round Head Machine Screw	AA-10-BB-3-005
8	Male Connector	1590-35-A
9	Ferrule Nut	1590-35-B
10	Hole Plug	1590-9
12	7/16" Elastic Stop Nut	BC-12-MM-3
13	Hardware Kit (not shown)	1590-25

### WESTERN-CULLEN-HAYES, INC.

2700 W. 36TH PLACE      CHICAGO, IL. 60632  
(773) 254-9600              FAX (773) 254-1110